

Safety Shower & Eyewash



We Offer
Creative
Design

Document No.: RK-06-01-CAT / 2022

Content

- Welcome 3
- Why Choose Us 4
- Our Best Service 4
- About Our Products 5
 - Fixed Emergency Eyewash 6
 - Emergency Eyewash Check List 7
 - Fixed Safety Shower & Eyewash 8
 - Safety Shower & Eyewash Check List 11
 - Portable Eyewash 12
 - Portable Safety Shower & Eyewash 13
 - Wall-Mounted Emergency Eyewash 16
 - Labratuary Emergency Eyewash 18
 - Safety Shower & eyewash Station 22
 - Safety Shower & eyewash Trailer 24

Welcome to Arka Sanat Pishroo

Our dreams is build a new generation of high quality design and development with professional skills and efficiency technology in firefighting and fire alarm systems.

Arka Sanat is specialized in designing, manufacturing and installation Firefighting and Fire Alarm systems. When it comes to fire safety and extinguishing solutions, reliability is essential. Therefore, Arka Sanat exclusively cooperates with internationally acknowledged partners.

Arka Sanat with his brand that name is "Trust" has multiple experiences of consulting and performing in national industries of Oil and Gas, Petrochemical, Refinery, Mining, Municipality, Airport, Fire department, Administrative and Commercial centers.

However Arka Sanat offers a lot more than products and services. By all means, we are involved during the complete project and the final commissioning to finish every project successfully.

Why Choose Us?



Our strong sense of identification with client projects means that we are constantly striving to provide solutions, even for issues they aren't yet aware of. To this end, we adopt a progressive approach to technology and marketing techniques.

This sense of identification also means we value and promote seamless interaction with clients' own teams, and ensure the best value is obtained from their event budget.

We love what we do, some might say a bit too much & we bring enthusiasm and commitment to every project we work on.



Focus on quality



Professional



Great company value



Quick response



20 years of experiences



Passionate team

Our Best Services

Today, The Arka Sanat provides Fire Safety Systems with integrated solutions for any fire protection challenge.

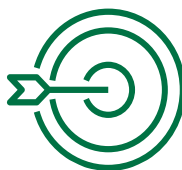
The Arka Sanat profession focuses on Designing and Construction a wide variety of safety equipment to human health and safety in the workplace.

Rely on Arka Sanat to deliver:



Design & Engineering

Arka Sanat engineering services leverage the cross-functional group of experts at RK to deliver creative, accurate solutions to complicated challenges in a shorter period of time.



Procurement

Making the details come together is critical to a projects success. Our team works with suppliers to negotiate competitive pricing, delivery expectations, logistics, and administrative details. They also work closely with project management to assure all items are at the site when needed in good condition.



Construction

Arka Sanat provides predictable and reliable service for firefighting and Fire Alarm Systems. we offer accountability for results. Safety was the driving force behind the decision to start our company, and it remains a crucial factor on every construction project.



About Our Product

We are a professional & solid company team who works with passion & skills to provide the best design for business needed.

Arka Sanat Company will provide all parts of Safety Shower and Eyewash & Accessories with the highest quality in fixed and portable position, as follows:

- Fixed Emergency Eyewash
- Fixed Safety Shower and Eyewash
- Portable Emergency Eyewash
- Portable Safety Shower and Eyewash
- Wall-Mounted Shower and Eyewash
- Wall-Mounted Portable Eyewash
- Laboratory Emergency Eyewash
- Safety Shower and Eyewash Trailer
- Safety Shower and Eyewash Station
- Shower and Eyewash with Heat Tracing
- Shower and Eyewash with Sounder/Flasher

These are manufactured in corrosion resistant material, Stainless Steel, Galvanised Carbon Steel and brass and are suitable for both onshore and offshore applications.

We can imagine that you still have some question about your own specific situation after reading this leaflet. Our colleagues will be pleased to help you by making a good chance for your kind of risk.

Please contact us:

- ☎ +98 21 22849427
- ☎ +98 21 56418279
- ✉ info@arkasanat.com
- 🌐 www.arkasanat.com



Arka Fire Solution



Fixed Emergency Eyewash

Pedestal Mounted Emergency Eyewash, trace tape heated and preinsulated. Suitable for outdoor use. Incorporating an integral lid connected to the water valve which automatically operates the unit when the lid is lifted. The lid also ensures that the bowl remains clean and free from contamination at all times and is fitted with a mirror and first-aid instructions. With additional eyewash diffuser on flexible hose to treat unconscious or disabled personnel.

Available in Galvanised or Stainless Steel.

Specification:

- Type : Self Standing
- Actuating type: Foot panel or Push Hand
- Pipe material: G.C.S., SCH 40 or Stainless Steel
- Inlet connection: 1 ½" R.F. UNION ASME B16.5#150
- Drain connection size: 1 ½"
- Flow rate of eye wash : 12 lpm @ 2.2 bar
- Foot panel: Galvanized carbon steel
- According to ANSI Z358.1

Included:

- Pressure regulator: Spring type, 3/4" female ASME B1.20.1
- Strainer: Y type, 3/4" female threaded ASME B1.20.1,
- Ball Valve: 3/4" inlet/outlet female thread ASME B1.20.1,
- Flow switch
- Sounder and Flasher
- Safety sign
- Cabinet and Shelter

Eye Wash Bowl:

- Eye wash bowl : S.S. 316
- Outlet Drain Connection: 1 ½"
- Diameter: 300 mm



for use in oil and gas, petrochemical plant, metal and mining, battery room, office buildings, schools, hospitals, kindergartens, sports arenas, cinemas, hotels and conference centres, airports and shopping centres.

Emergency Eye Wash



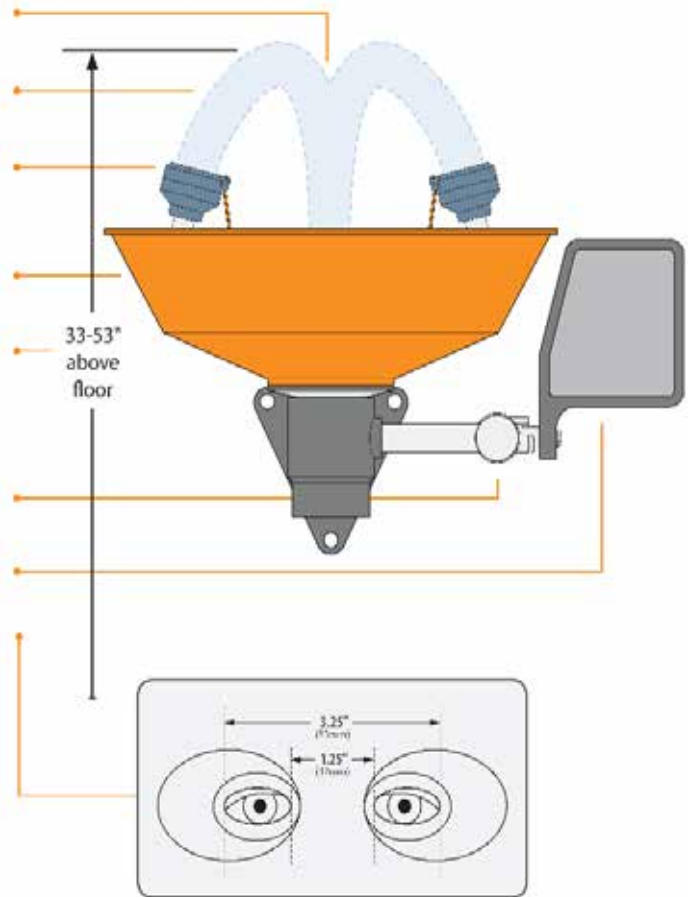
چشم شوی اضطراری
ایستاده با عملگر پدالی
آرکا صنعت پیشرو

Model No.: RK - SHW - 1121

Emergency Eyewash Checklist

This checklist is a summary of the provisions of ANSI Z358.1-2014 relating to emergency eyewashes. Please refer to the standard for a complete listing of these provisions.

- Controlled, low velocity flow rinses both eyes and is not injurious to user. (Section 5.1.1)
- Water flow is sufficiently high to allow user to hold eyes open while rinsing. (Section 5.1.7)
- Spray heads are protected from airborne contaminants. Covers are removed by water flow. (Section 5.1.3)
- Unit delivers at least 0.4 gallons (1.5 liters) of water per minute for 15 minutes. (Section 5.1.6, 5.4.5)
- Water flow pattern is positioned between 33" (83.8 cm) and 53" (134.6 cm) from the floor and at least 6" (15.3 cm) from the wall or nearest obstruction. (Section 5.4.4)
- Hands-free stay-open valve activates in one second or less. (Section 5.1.4, 5.2)
- Valve actuator is easy to locate and readily accessible to user. (Section 5.2)
- Unit washes both eyes simultaneously. Water flow covers area indicated on Guardian test gauge at no more than 8" above spray heads. (Section 5.1.8)



- Location: Install eyewash unit within 10 seconds (approximately 55 feet) of hazard, on the same level as hazard and with unobstructed travel path. Where strong acids or caustics are being handled, emergency eyewash unit should be located adjacent to the hazard, and an appropriate professional should be consulted for advice on the proper distance. (Section 5.4.2; B5)
- Identification: Identify eyewash location with highly visible sign. Area around eyewash unit shall be well-lit. (Section 5.4.3)
- Water Temperature: Water delivered by eyewash shall be tepid (60-100°F). (Section 5.4.6; B6)
- Training: Instruct all employees in the location and proper use of eyewash units. (Section 5.5.4)
- Maintenance/Inspection: Activate plumbed eyewash units at least weekly. (Section 5.5.2)
- Inspect all eyewash units annually for compliance with standard. (Section 5.5.5)

All Arka Sanat eyewash units are third-party certified to meet or exceed the provisions of ANSI Z358.1-2014.



Fixed Safety Shower and Eyewash

Emergency showers, eyewashes and tepid water delivery systems are required to provide emergency treatment in preventing permanent eye and skin damage from accidental exposure to chemicals, biohazards or airborne debris.

In the absence of a uniquely ASME standard for the design and placement of emergency eyewash and shower equipment, provincial authorities in all jurisdiction refer to the ANSI Z358.1-2014 standard for recommendations and enforcement regarding emergency eyewash and shower requirements.

Emergency drenching fixtures must be readily accessible for use in manufacturing, laboratories, refineries, mines, construction sites and wherever workers may be accidentally splashed or sprayed with injurious solvents, acids, harmful particulates and, in some cases, biological hazards.

Arka Sanat offers Safety Shower and Eyewash in different styles to meet varying installation requirements.

Safety Showers manufactured based on the latest modern technical processes and complies with the best international standards.



Model No.: RK - SHW- 4121



Model No.: RK - SHW- 3131

Safety Shower & Eye Wash



دوش و چشم شوی ایمنی
دو طرفه با عملکرد پدال
آرکا صنعت پیشرو



Model No.: RK - SHW - 4121

Specification:

- Type : Self Standing or Wall Mounted
- Actuating type: Foot panel or Push Hand
- Pipe material: Galvanized C.S, SCH 40 or S.S
- Inlet connection: 1 ½" R.F. UNION ASME B16.5#150
- Drain connection size: 1 ½"
- Flow rate of shower : 115 lpm @ 2.2 bar
- Flow rate of eye wash : 12 lpm @ 2.2 bar
- Foot panel: Galvanized C.S
- According to ANSI Z358.1

Shower Head:

- Inlet connection: 1" female thread
- ASME B1.20.1
- Material: Stainless Steel

Eye Wash Bowel:

- Eye wash bowel : S.S. 316
- Outlet Drain Connection: 1 ½"
- Diameter: 300 mm

Included:

- Pressure regulator: Spring type, 3/4" female thread ASME B1.20.1
- Strainer: Y type, 3/4" female threaded ASME B1.20.1
- Ball Valve for shower: 1" inlet/outlet female thread ASME B1.20.1
- Ball Valve for eye wash: 3/4" inlet/outlet female thread ASME B1.20.1
- Flow switch
- Sounder and Flasher
- Safety sign
- Heat Tracing
- Cabinet and Shelter



Safety Shower & Eye Wash



دوش و چشم شوی ایمنی
هم جهت با عملکرد دستی و پدال
آرکا صنعت پیشرو

Model No.: RK - SHW - 3131





Key requirement from the ANSI Standard Z358.1-2014 include:

- Device must be positioned within 10 seconds (55') from hazard.
- Device must be activated in one second or less.
- Device must be capable of delivering minimum flow of flushing fluid at least 15 minutes.
- Device must provide "tepid" water (16-38°C, 60-100°F)
- Device must be activated weekly to remove dust/debris
- There must be no obstruction in the pathway to the device.
- The water supply uninterrupted at the valve.
- Device must be identified with highly visible signage.
- Device must be well lighted
- Device must be fully inspected annually.

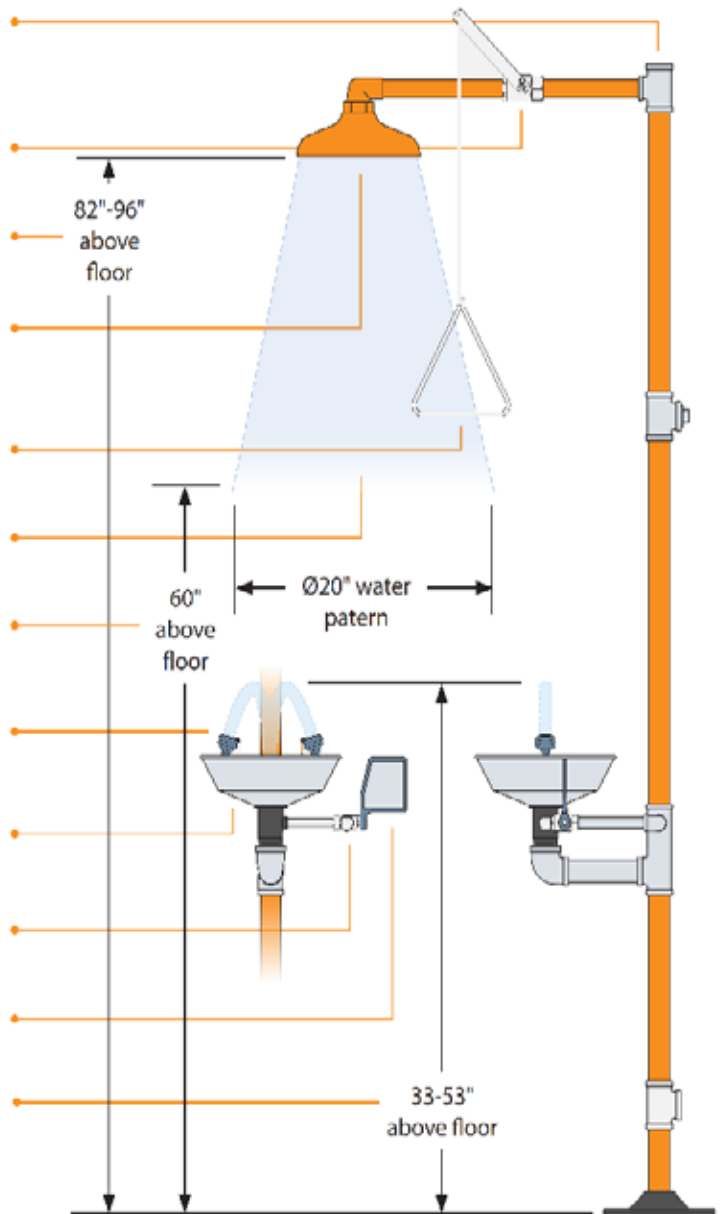


کد محصولات دوش و چشم شوی ایمنی ایستاده ثابت-آرکا صنعت (Fixed Self-Standing Safety Shower & Eye Wash)			
ردیف	شرح کالا	کد کالا	متریال
۱	چشم شوی ثابت با عملگر پدال	RK-SHW-1121	کربن استیل
۲	چشم شوی ثابت با عملگر پدال	RK-SHW-1125	استینلس استیل
۳	چشم شوی ثابت با عملگر دستی	RK-SHW-1111	کربن استیل
۴	چشم شوی ثابت با عملگر دستی	RK-SHW-1115	استینلس استیل
۵	دوش ایمنی ثابت با عملگر دستی	RK-SHW-2111	کربن استیل
۶	دوش ایمنی ثابت با عملگر دستی	RK-SHW-2115	استینلس استیل
۷	دوش ایمنی ثابت با عملگر پدال	RK-SHW-2121	کربن استیل
۸	دوش ایمنی ثابت با عملگر پدال	RK-SHW-2125	استینلس استیل
۹	دوش و چشم شوی ثابت هم جهت (با عملگر دوش دستی و چشم شوی پدال)	RK-SHW-3131	کربن استیل
۱۰	دوش و چشم شوی ثابت هم جهت (با عملگر دوش دستی و چشم شوی پدال)	RK-SHW-3135	استینلس استیل
۱۱	دوش و چشم شوی ثابت هم جهت (با جفت عملگر دستی)	RK-SHW-3111	کربن استیل
۱۲	دوش و چشم شوی ثابت هم جهت (با جفت عملگر دستی)	RK-SHW-3115	استینلس استیل
۱۳	دوش و چشم شوی ثابت دو طرفه (با جفت عملگر پدال)	RK-SHW-4121	کربن استیل
۱۴	دوش و چشم شوی ثابت دو طرفه (با جفت عملگر پدال)	RK-SHW-4125	استینلس استیل
۱۵	دوش و چشم شوی ثابت دو طرفه (با جفت عملگر دستی)	RK-SHW-4111	کربن استیل
۱۶	دوش و چشم شوی ثابت دو طرفه (با جفت عملگر دستی)	RK-SHW-4115	استینلس استیل
۱۷	دوش و چشم شوی ثابت دو طرفه (با عملگر دوش پدال و چشم شوی دستی)	RK-SHW-4131	کربن استیل
۱۸	دوش و چشم شوی ثابت دو طرفه (با عملگر دوش پدال و چشم شوی دستی)	RK-SHW-4135	استینلس استیل

Safety Shower & Eyewash Checklist

This checklist is a summary of the provisions of ANSI Z358.1-2014 relating to eye or eye/face wash and shower combination stations. Please refer to the standard for a complete listing of these provisions.

- ❑ Water supply delivers required flow when shower and eye or eye/face wash are operated simultaneously. (Section 4.5.5, 7.4.4)
- ❑ Hands-free stay-open valve activates in one second or less. (Section 4.2)
- ❑ Height of water column is between 82" (208.3 cm) and 96" (243.8 cm) above the floor. (Section 4.1.3, 4.5.4)
- ❑ Shower delivers 20 gallons (75.7 liters) of water per minute for 15 minutes in the required pattern. (Section 4.1.2, 4.5.5)
- ❑ Easily located, accessible actuator is no more than 69" (173.3 cm) above floor. (Section 4.2)
- ❑ Center of the water pattern is at least 16" (40.6 cm) from any obstruction. (Section 4.1.4, 4.5.4)
- ❑ At 60" (152.4 cm) above the floor, the water pattern is at least 20" (50.8 cm) in diameter. (Section 4.1.4)
- ❑ Spray heads are protected from airborne contaminants. Covers are removed by water flow. (Section 5.1.3, 6.1.3)
- ❑ Unit delivers at least 3.0 GPM (11.4 liters) (for eye/face wash) or 0.4 GPM (1.5 liters) (for eyewash) for 15 minutes. (Section 5.1.6, 6.1.6, 6.4.5)
- ❑ Hands-free stay-open valve activates in one second or less. (Section 5.2, 6.1.4, 6.2)
- ❑ Valve actuator is easy to locate and readily accessible to user. (Section 5.2, 6.2)
- ❑ Water flow pattern is positioned between 33" (83.8 cm) and 53" (134.6 cm) from the floor and at least 6" (15.3 cm) from the wall or nearest obstruction. (Section 5.4.4, 6.4.4)



- ❑ Location: Install safety station within 10 seconds (approximately 55 feet) of hazard, on the same level as hazard and with unobstructed travel path. Where strong acids or caustics are being handled, safety station should be located adjacent to the hazard, and an appropriate professional should be consulted for advice on the proper distance. (Section 7.4.2; B5)
- ❑ Identification: Identify safety station location with highly visible sign. Area around safety station shall be well-lit. (Section 7.4.3)
- ❑ Water Temperature: Water delivered by safety station shall be tepid (60-100°F). (Section 7.4.5; B6)
- ❑ Training: Instruct all employees in the location and proper use of safety station. (Section 7.5.4)
- ❑ Maintenance/Inspection: Activate safety station at least weekly. (Section 7.5.2) Inspect all safety stations annually for compliance with standard. (Section 7.5.5)

All Arka Sant safety Showers are third-party certified to meet or exceed the provisions of ANSI Z358.1-2014.

پشم شوی ایمنی
با مخزن ۶۰ تا ۱۲۰ لیتر
متریال استنلس استیل
آرکا صنعت پیشرو



Model No.: RK - SHW - 1215

Portable Eyewash

Where Eyewash facilities are required at specific locations that are unsuitable for fixed installations the portable range offers effective solution. It means that emergency treatment can be available at any workplace providing vital first-aid.

They are ideal for large sites, and as part of the on-board first-aid equipment carried by road tankers and other vehicles dangerous chemicals.

Rechargeable cylinder units are convenient and easily carried, providing essential first-aid until the casualty is moved to an Eye/Facewash installation capable of delivering the 10-15 minutes continuous flushing recommended by the International health and Safety Organisations.

Larger mobile units can sustain a longer period of flushing and, with the addition of the optiflex hand held Shower, both the cylinder and mobile units can be used to wash minor contamination from all parts of the body.



Model No.: RK - SHW - 1215

کد محصولات دوش و چشم شوی ایمنی ایستاده پرتابل آرکا صنعت (Portable Safety Shower & Eye Wash)

ردیف	شرح کالا	کد کالا	متریال
۱	چشم شوی ایستاده پرتابل با عملگر دستی (با مخزن ۶۰ تا ۱۲۰ لیتر)	RK-SHW-1211	کربن استیل
۲	چشم شوی ایستاده پرتابل با عملگر دستی (با مخزن ۶۰ تا ۱۲۰ لیتر)	RK-SHW-1215	استنلس استیل
۳	دوش ایمنی ایستاده پرتابل با عملگر دستی (با مخزن ۸۰ تا ۱۲۰ لیتر)	RK-SHW-2211	کربن استیل
۴	دوش ایمنی ایستاده پرتابل با عملگر دستی (با مخزن ۸۰ تا ۱۲۰ لیتر)	RK-SHW-2215	استنلس استیل
۵	دوش و چشم شوی هم جهت ایستاده پرتابل با عملگر دستی (با مخزن ۸۰ تا ۱۵۰ لیتر)	RK-SHW-3211	کربن استیل
۶	دوش و چشم شوی هم جهت ایستاده پرتابل با عملگر دستی (با مخزن ۸۰ تا ۱۵۰ لیتر)	RK-SHW-3215	استنلس استیل
۷	دوش و چشم شوی دو طرفه ایستاده پرتابل با عملگر دستی (با مخزن ۸۰ تا ۱۵۰ لیتر)	RK-SHW-4211	کربن استیل
۸	دوش و چشم شوی دو طرفه ایستاده پرتابل با عملگر دستی (با مخزن ۸۰ تا ۱۵۰ لیتر)	RK-SHW-4215	استنلس استیل

Portable Safety Shower & Eyewash

The 60 to 120 litre capacity mobile self-contained emergency safety shower with eye/face wash unit. Incorporating a stainless steel frame and large pneumatic tyres, making it easy to manoeuvre by one person, and the wheel spacing can be altered allowing the unit to fit through standard door openings.

Arka Sanat Manufacturere portable safety shower and eye wash with Carbon Steel, Stainless Steel and Polyethilen materials.



Model No.: RK - SHW - 4215



Specifications:

- Pipe & Fittings Material: 316L Stainless steel / G.C.S
- Operating Valve Material: Brass
- Finish: RAL 6001 Green or Gray
- Service: Water Inlet
- Design Operating Pressure: 2.2 to 7 barg
- Test Pressure: 12 barg
- Shower Flow Rate: 76 lpm
- Eye wash Flow Rate: 12 lpm
- Envirental Operating Temperature:
MIN: 5° C (41° F) to MAX: 35° C (95° F)
- Shower Activation: Hand lever
- Eye Wash Activation : Pull lid forward
- Weight: 85 kg
- Dimention(WxDxH): 750mm x 1350mm x 2400mm



ردیف	شرح کالا	کد کالا	متریال
۱	ترولی چشم شوی ایمنی با عملگر دستی (با مخزن ۶۰ تا ۱۲۰ لیتر)	RK-SHW-1711	کربن استیل
۲	ترولی چشم شوی ایمنی با عملگر دستی (با مخزن ۶۰ تا ۱۲۰ لیتر)	RK-SHW-1715	استنلس استیل
۳	ترولی دوش ایمنی با عملگر دستی (با مخزن ۸۰ تا ۱۲۰ لیتر)	RK-SHW-2711	کربن استیل
۴	ترولی دوش ایمنی با عملگر دستی (با مخزن ۸۰ تا ۱۲۰ لیتر)	RK-SHW-2715	استنلس استیل
۵	ترولی دوش و چشم شوی ایمنی هم جهت با عملگر دستی (با مخزن ۱۰۰ تا ۲۰۰ لیتر)	RK-SHW-3711	کربن استیل
۶	ترولی دوش و چشم شوی ایمنی هم جهت با عملگر دستی (با مخزن ۱۰۰ تا ۲۰۰ لیتر)	RK-SHW-3715	استنلس استیل
۷	ترولی دوش و چشم شوی ایمنی دو طرفه طرفه با عملگر دستی (با مخزن ۱۰۰ تا ۲۰۰ لیتر)	RK-SHW-4711	کربن استیل
۸	ترولی دوش و چشم شوی ایمنی دو طرفه طرفه با عملگر دستی (با مخزن ۱۰۰ تا ۲۰۰ لیتر)	RK-SHW-4715	استنلس استیل

Portable Safety Eye wash:

Portable Eye wash unit incorporating a 60 litres stainless steel cylinder, fitted with pressure relief valve, pressure gauge and air filler.

The Eye wash is fitted with aerated diffuser nozzles with 'Pop-off' dust covers and push lever operation.

When pressurised to 7 bar via a schraeder tyre valve this unit will deliver a copious quantity of water for four minutes. The Arka Sanat Eye Wash can also be fitted and is used for decontaminating parts of the body that have been subject to minor contamination.

Mobile Self-Contained Emergency Eye wash:

Mobile self-contained Emergency Eye wash suitable for temporary use and capable of delivering a copious quantity of water for over 5 to 10 minutes. The Eye wash is made from Stainless Steel or unbreakable acrylic capped ABS plastic and incorporates an integral lid to ensure that the bowl remains clean and free from contamination at all times.

The eyewash diffusers are designed to give a gentle flow of aerated water and are fitted with fine mesh strainers and a flow controller. This unit is easily filled by connecting to a mains water supply hose pipe and is then easily manoeuvred to its required position by hand and hooking up to a standard tow ball on a vehicle.

The wheel centres can be adjusted to enable the unit to be taken through a standard door opening allowing it to be used in laboratories and work rooms etc.

The mild steel cylinder is polypropylene lined to avoid internal corrosion and the exterior is painted with acid resistant white enamel paint.

A pressure gauge is fitted to indicate when the cylinder is full.

The Optiflex Eye wash can also be fitted and is used for decontaminating parts of the body that have been subject to minor contamination.



It is better to fail in originality than to succeed in imitation



RK *Trust* **Arka Sanat**
Firefighting & Fire Alarm Systems

Wall-Mounted Emergency Eyewash

Eyewash stations are located in laboratories and workshops to flush the eyes and face area if hazardous chemicals are splashed into them. In the event of hazardous chemicals splashing in the eyes, the stream of water from the spray should be directed into the eye for a period of 15 minutes before seeking medical attention, a variety of eyewash units exist.

Table or Bench Mounted 'unbreakable' Emergency Eye wash with integral lid, aerated diffusers, flow regulator and selfadhesive sign.

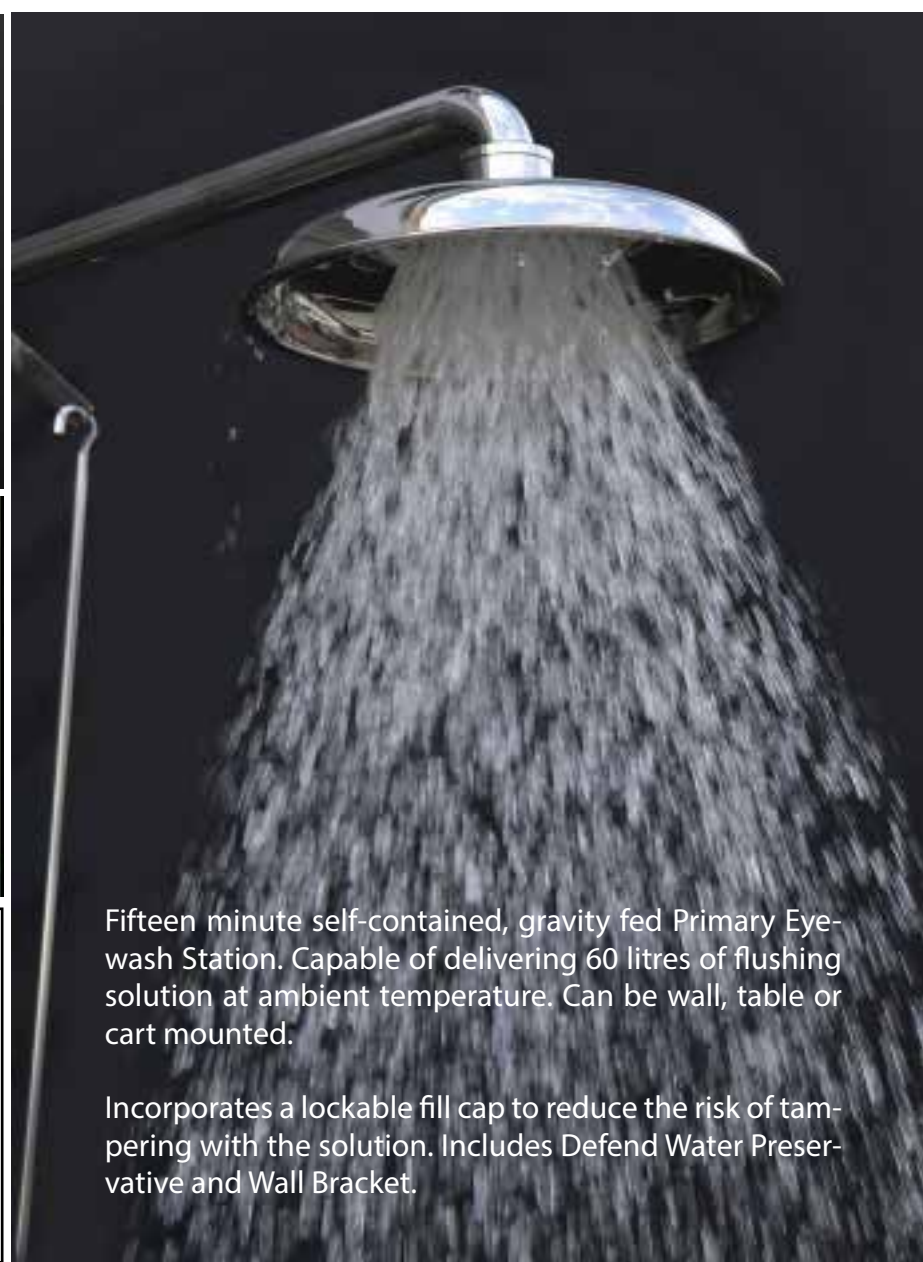


The difference between the eye and eye/face wash is the size of the nozzle and spray pattern. The unit has to be installed between 33 inches and 45 inches above ground level and 6 inches away from the wall. There must be enough room to allow the eyelids to be held open with the hands while the eyes are in the flushing water stream.

Since the nozzles face upward to operate properly, dust and other contaminants could fall into the openings clogging them or providing a breeding area, therefore, the nozzles have to be protected in such a way as to not require a separate movement to remove them when the unit is activated.

Simple Design is Always the Best





How to Clean your Eyes from Damaged Article



Model No.:

RK - SHW - 2315

Fifteen minute self-contained, gravity fed Primary Eye-wash Station. Capable of delivering 60 litres of flushing solution at ambient temperature. Can be wall, table or cart mounted.

Incorporates a lockable fill cap to reduce the risk of tampering with the solution. Includes Defend Water Preservative and Wall Bracket.

کد محصولات دوش و چشم شوی ایمنی دیواری - آرکا صنعت (Wall Mounted Safety Shower & Eye Wash)

ردیف	شرح کالا	کد کالا	متریال
۱	چشم شوی ایمنی ثابت دیواری با عملگر دستی	RK-SHW-1311	کربن استیل
۲	چشم شوی ایمنی ثابت دیواری با عملگر دستی	RK-SHW-1313	استینلس استیل
۳	دوش ایمنی ثابت دیواری یا سقفی با عملگر دستی	RK-SHW-2311	کربن استیل
۴	دوش ایمنی ثابت دیواری یا سقفی با عملگر دستی	RK-SHW-2315	استینلس استیل
۵	چشم شوی ایمنی پرتابل دیواری با عملگر دستی (با مخزن ۲۰ لیتری)	RK-SHW-1417	لاستیکی
۶	چشم شوی ایمنی آزمایشگاهی	RK-SHW-1517	لاستیکی

Wall Mounted Polyethilen Material Safety Eye wash
Model No.: RK - SHW - 1417





Labratuary Emergency Eyewash

We can imagine that you still have some question about you own specific sication after reading this leaflet. Our callegues will be pleased to help you by making a good chance for your kind of risk.

Please contact us:

- +98 21 22849427
- +98 21 56418279
- info@arkasanat.com
- www.arkasanat.com



Model No.: RK-SHW-1517







چشم شوی اضطراری
Emergency Eyewash

چشم شوی
Emergency Eyewash



Safety Shower & Eyewash Station

From the arctic to the desert, emergency tank showers are effective in environments where tepid water, or a constant supply of water, cannot be guaranteed and in ambient temperatures below -25°C where it is impractical to use a standalone safety shower. Equally, if there is insufficient water pressure or inadequate flow rates these units are essential.

The product range suits different operating environments and climates - the outdoor models are heated and pre-insulated to prevent freezing while the indoor or hot climate versions are insulated but without heating to ensure a steady temperature is maintained.

Designed to meet and exceed ANSI by providing tepid water for over 15 minutes at a guaranteed flow of 76 liters per minute, even when there is no mains water supply.

Available in 300, 500, 800 or 1000 liter capacities, the emergency tank showers are activated using the panic bar or optional foot panel. Rectangular hollow section galvanized steel frames are designed and built to be earthquake-proof and conform to the California Building Code.

Covered eye/face wash unit protects against dust and debris.

Stainless steel frames available upon request.



Model No.: RK - SHW - 3621



Model No.: RK - SHW - 3621

The Performance Series provides ANSI/ISEA Z358.1 compliant tempered water options with reduced lead time and cost by offering standardized configurations to meet decontamination needs. With multiple tank, electrical and blending capability options, the Performance Series will be sure to have your complete solution.

Outdoor, overhead tank, tempered water shower and eye/face wash system for use in remote areas with no water supply.

Additional features include:

- Tank Capacity: 300 to 1000 Liters
- Tank Material: fiberglass or Stainless Steel
- Suitable for use in Zone C
- Delivers large quantities of water in an even pattern that is non-injurious to the user
- Internal space heater for 21°C
- Including audible alarms with flashing beacons, sumps, strip screens, lighting, chiller units, water treatment, GRP paneling (indoor models), sunshield, water inlet and tanker inlet extensions.
- Spring-loaded, self-closing doors
- Scald and freeze protection
- Available operating temperature range: -40°C to 38°C
- Finish: available in white, Green or yellow
- Activation and Testing: Instant activation by panic bar or optional foot panel, testing and flushing by external test handle
- Eye/Face Wash: Integral lid connects to water valve for automatic water activation when lifted up
- Wide Selection of Optional Fittings

Included:

- External Water Level Indicator
- Provides visibility to tank levels
- Prevents overheating of tepid water
- Temperature Gauge
- Low Pressure Shower



Model No.: RK - SHW - 3621



We can imagine that you still have some question about you own specific sication after reading this leaflet. Our callegues will be pleased to help you by making a good chance for your kind of risk. Please contact us:

- ☎ +98 21 22849427
- ☎ +98 21 56418279
- ✉ info@arkasanat.com
- 🌐 www.arkasanat.com

Safety Shower & Eyewash Trailer

Designed in accordance with ANSI, this 2000 liters capacity emergency safety shower provides a continuous flow of water for over 15 minutes.

The tank can be filled with potable water by hose and then transported quickly and easily behind a suitable vehicle using the towing hitch provided. Integral immersion heater, controlled by a dual safety thermostat, maintains the water at a tepid temperature. Easily stored when not in use.



Model No.: RK - SHW - 3811

کد محصولات تریلر دوش و چشم شوی ایمنی آرکا صنعت (Safety Sower & Eye Wash Trailer)			
متریال	کد کالا	شرح کالا	ردیف
کربن استیل	RK-SHW-3811	تریلر دوش و چشم شوی ایمنی هم جهت با عملکرد دستی (با مخزن ۵۰۰ تا ۲۰۰۰ لیتر)	۱
استنلس استیل	RK-SHW-3815	تریلر دوش و چشم شوی ایمنی هم جهت با عملکرد دستی (با مخزن ۵۰۰ تا ۲۰۰۰ لیتر)	۲

The RK-SHW-3811 (3800 Series) trailer showers are designed with safety in mind. Our emergency shower trailers deliver tempered water at a true twenty gallons per minute and is ANSI Z358.1-2009 compliant. There is an eyewash feature in the portable industrial restroom that is ANSI Z358.1-2004 compliant.

These emergency shower trailers feature high quality components, such as being manufactured with product quality and longevity in mind. These units are rigorously tested and can withstand long term use.



ردیف	شرح کالا	کد کالا	متریال
۱	ایستگاه دوش و چشم شوی ایمنی (با مخزن ۲۰۰ تا ۴۰۰ لیتر)	RK-SHW-3621	کربن استیل
۲	ایستگاه دوش و چشم شوی ایمنی (با مخزن ۲۰۰ تا ۴۰۰ لیتر)	RK-SHW-3625	استنلس استیل

Safety Shower & Eyewash Trailer

Our trailers are designed with safety in mind down to the very last bolt. Our RK-SHW-701 trailers are equipped with lockable RV style doors as opposed to dangerous freezer latches. Traditional fold down ramps are replaced with non-slip steps for easy access. Prevent dangerous workplace conditions with the Arka Sanat climate trailers available!

Features:

- 12x6 steel frame trailer with 2" bulldog style ball
- ANSI required 8" interior height
- Minimum 1000 to 2000 liters of fresh water capacity
- Twin circulating pumps with cold weather thermostat
- Waterproof lighting package in shower and control room
- Aluminum exterior skin panels
- Closed cell foam insulation with radiant reflective and vapor barrier
- Trailer paint to ANSI specifications
- Trailer Identification signage: Emergency Shower

This Arka safety precaution unit contains a 2000 liters water tank kept heated by a 500 watt submersion heater to ensure that when an emergency arises, your job site is prepared, no matter the temperature. The water is delivered through a therma-flow freeze protected shower at a rate of 100 liters per minute and runs off into a 2000 liters tank.



Model No.: RK - SHW - 3621







“A satisfied
customer

is the best business
strategy of all”



Every client is unique, every situation is different. Practices turn to Arka Sanat for lots of reasons. But, in most cases, it distills down to a single word: Trust.

- Trust in our experience.
- Trust in our solutions.
- Trust in our results.

Contact Us

Arka Sanat CO.
Unit 12, No. 5, Behesht Asa Alloy,
Shariati St., Tehran, Iran

Tel: +98 (021) 22849427
E-mail: info@arkasanat.com
Website: www.arkasanat.com